

50 MM STAINLESS STEEL TRACKBALL UNIT

Vandalproof, IP54 - IP65 sealed



This range is highly ruggedized and designed for harsh industrial applications, kiosk consoles, navigation controls, etc... This trackball unit features a robust, vandalproof construction and all metal look : the carrier plate made of brushed stainless steel, a stainless steel ring protecting the trackball sealing and three anti-vandal stainless steel and IP65 sealed switches. The 50mm trackball unit itself can either have :

- a black phenolic resin ball for highest resistance to hostile impacts and to scratches and with a sealing grade of IP65 static. Type TBS50F2 (the standard) or type TBS50F2-BT1 with a black coated topplate.
- a stainless steel ball for styling (complete stainless steel appearance) with a sealing grade to IP54. Type SBS50F2

GENERAL TECHNICAL SPECIFICATIONS

Sealing	: IP65 static (TBS50F2) / IP54 (SBS50F2)
Carrier plate	: brushed stainless steel
Ball diameter	: 50,8 mm (2")
Ball material	: phenolic resin (TBS50F2) / stainless steel (SBS50F2)
Dimensions	: 100 x 116 x 40 mm
Weight	: 0,6 kg / 1 kg
Lifetime	: >= 2 million ball revolutions
Tracking force	: nom. 50 grams (TBS50F2)/nom. 100 grams (SBS50F2)
Output	: PS/2 & USB Combo
Cable	: 1 shielded, straight 1,6 m long
Operating temperature range:	-10°C to +60°C
Storage temperature range	: -25°C to +80°C

Push button switches

Sealing	: IP65
Material	: stainless steel, brushed
Mechanical life	: 1 mil. cycles min
Contacts	: gold plated
Travel	: 1,3mm
Operating force	: 4N typ
Operating temperature	: -20°C to +60°C

CE

Compliant to EMC Directive 89/336/EEC for Electromagnetic Compatibility.
Low Voltage Directive 73/23/EEC not applicable for our trackballs.

CONNECTIVITY

These combo PS/2 & USB trackball units have a 1,6 meter long shielded straight cable ended by a USB type A plug.

An adaptor to PS/2 is added. No special device driver is needed, use standard available drivers of your operating system.

* Due to the increasing differences of the PS/2 mouse port specifications of the various PC manufacturers, we do recommend that this unit should be tested on the final PC configuration and operating system prior to installing it in series.

ORDER INFO

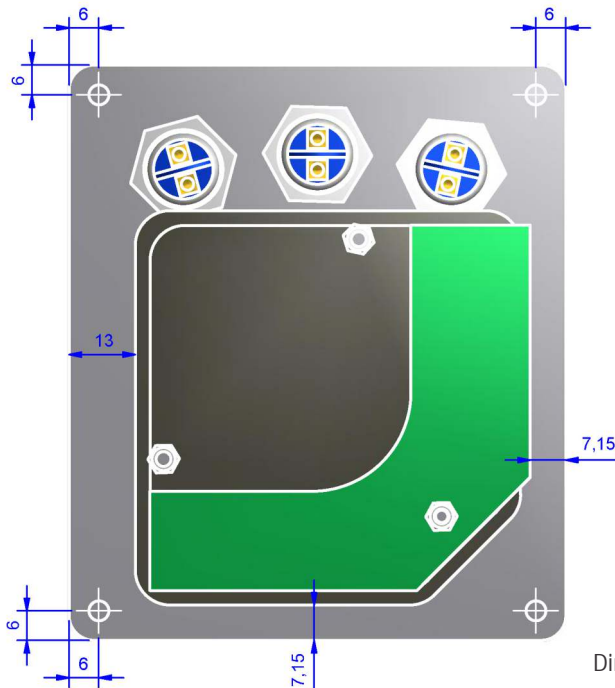
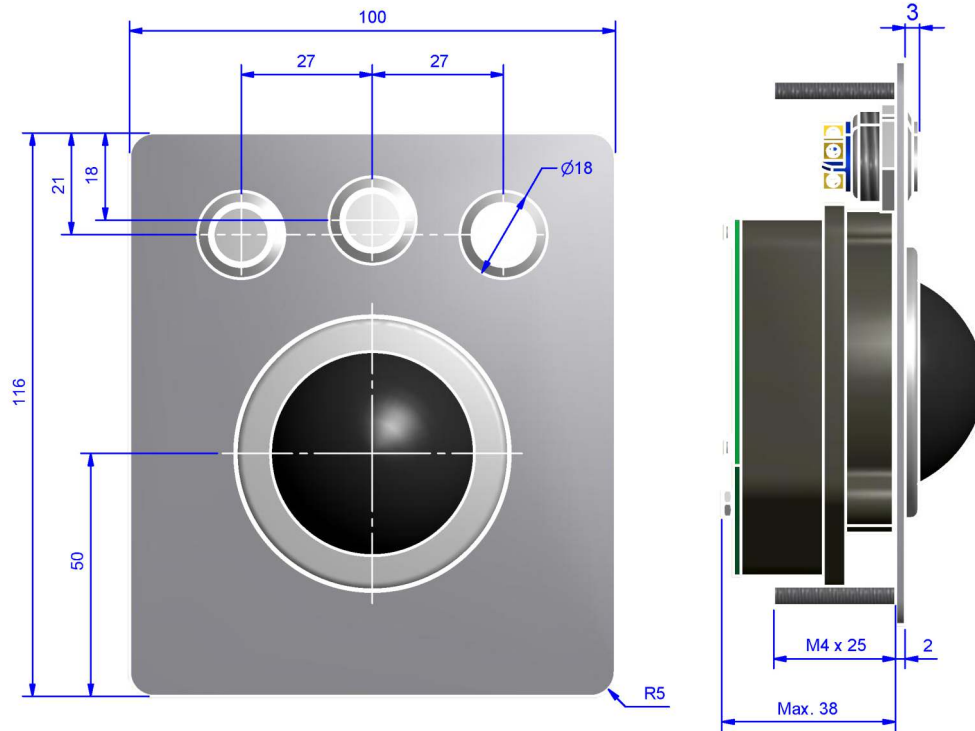
TBS50F2	Black phenolic resin ball
TBS50F2-BT1	Black phenolic resin ball, black topplate
SBS50F2	Stainless steel ball

Output : PS/2 & USB Combo

VER. 1.1

50 MM STAINLESS STEEL TRACKBALL UNIT
Vandalproof

DIMENSIONAL DRAWING



Dim. in mm

The company reserves the right to alter without prior knowledge the specification or design of any standard product or service.